

CVS-842/852

SPECIFICATIONS																			
Model name	CVS-842C, CVS-842P, CVS-842T, CVS-852C, CVS-852P, CVS-852T																		
Output power	Defined by the suffix. C: 1 kW, P: 3 kW, T: 5 kW																		
Display	10.4 inch TFT Color LCD (640 x 480 dot) for CVS-842 series, 15 inch TFT Color LCD (640 x 480 dot) for CVS-852 series																		
Presentations/colors	Echo colors: 16 colors (red, orange, yellow, green, light green, white, light blue, blue and half tone of each color) Background colors: Selected from 9 colors (white, light blue, blue, dark blue, black and each half tone color)																		
Frequency	Dual frequency, combination selected from 28, 50, 75, 200 kHz																		
Depth range	2.5 to 10 (2.5 step interval), 10 to 100 (5 step interval), 100 to 400 (10 step interval), 400 to 1000 (50 step interval), 1000 to 1200 (100 step interval), 1200 to 3000 (100step interval)(Excluding CVS-842C/852C) 10 to 20 (5step interval), 20 to 60 (10step interval), 60 to 400 (20step interval), 400 to 1600 (40 step interval), 1600 to 4000 (200step interval), 4000 to 7200 (200 step interval)(Excluding CVS-842C/852C), 7200 to 8000 (400step interval)(Excluding CVS-842C/852C)																		
Bottom range / zoom range	2.5 to 10 (2.5 step interval), 10 to 60 (5 step interval), 60 to 200 (10 step interval), depth unit selected from Meter, Hiro, Fathom, Italian Fathom 10 to 20 (5 step interval), 20 to 60 (10 step interval), 60 to 400 (40 step interval), 400 to 650 (50 step interval), depth unit Feet																		
Image shift	Auto or Manual, Maximum shift range: 1200 (CVS-842C) / 3000 (CVS-842P/842T) Unit selected from Meter, Hiro, Fathom, Italian Fathom 4000 (For CVS-842C) / 8000 (For CVS-842P/842T), Unit in Feet																		
Presentation mode	<table border="1"> <tr> <td>N (L)</td> <td>N (H)</td> <td>M</td> <td>N</td> <td>BZ (H)</td> <td>N (L)</td> <td>N (H)</td> <td>N (L)</td> <td>N (H)</td> </tr> <tr> <td></td> <td></td> <td></td> <td></td> <td>BZ (L)</td> <td>(L)</td> <td>(H)</td> <td>Z (L)</td> <td>Z (H)</td> </tr> </table> <p>A total of 25 types of image modes available, including combined display with Norm/Zoom, Bottom Lock, Bottom Discrimination or Bottom Zoom, as well as vertically or horizontally split screen.</p> <p>N: Normal, M: Mix, BZ: Bottom Zoom, Z: Zoom, H: High frequency, L: Low frequency</p>	N (L)	N (H)	M	N	BZ (H)	N (L)	N (H)	N (L)	N (H)					BZ (L)	(L)	(H)	Z (L)	Z (H)
N (L)	N (H)	M	N	BZ (H)	N (L)	N (H)	N (L)	N (H)											
				BZ (L)	(L)	(H)	Z (L)	Z (H)											
Image display area	Horizontally split (top/bottom ratio: 1:1), Vertically split (left/right ratio: 1:1), Vertically split by 3 (left:center:right ratio: 1:1:1), Vertically split by 4 (top/left: top/right ratio: 1:1, bottom/left: bottom/right ratio: 1:1)																		
Audible alarm	Fish alarm and depth alarm																		
Image speed	12 speeds (4/1, 3/1, 2/1, 1/1, 1/2, 1/3, 1/4, 1/6, 1/8, 1/12, 1/16, 1/32) and stop																		
Interference rejection	3 steps (Off, 1 (mid), 2 (intense))																		
Color rejection	Applicable to 15 colors maximum, any colors to be selected																		
Depth marker	Depth marker (VRM), scale, zoom range marker, guard zone marker, division marker, time marker, color pattern																		
Controls	Brightness, gain, enhance, STC, depth range, image mode																		
Auto functions	Depth range, shift																		
Navigational data	Own ship's position (lat/lon), in 0.0001 minute increments, Loran C LOP, water temperature (°C/°F/Graph), boat speed (km/h, mph, kt), mileage (km, sm, nm), Own ship's bearing																		
Input data format	NMEA-0183 Ver 2.0/1.5 (GGA, GLL, GNS, GTD, VTG)																		
Output data format	NMEA-0183 Ver 2.0 (DBS, DBT, DPT, MTW, TLL)																		
Power supply voltage	10.8 to 31.2 VDC (CVS842C/842P 852C/852P), 21.6 to 31.2 VDC (CVS842T/852T)																		
Power consumption	30 W or less at 24 VDC (CVS-842), 40 W or less at 24 VDC (CVS-852), 75 W or less at 24 VDC (CVT-10)																		

EQUIPMENT LIST

Standard equipment

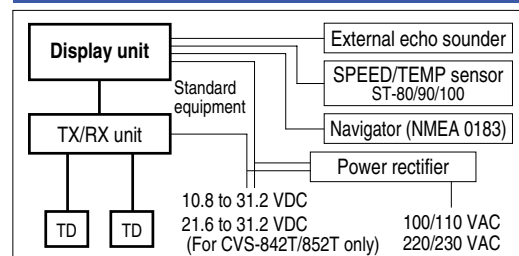
Prices are subject to frequency of the transducer.

Display unit	With hard cover	1
TX/RX unit	CVT-10	1
Transducer	With transducer cable	1 set
Connection cable	CW-557	1
DC power cable	CW-253(Disp) CW-89(TX/RX)	5P connector fitted one end 3P connector fitted one end
Spare parts		1 set
Installation material		1 set
Operation manual		1

Options

Transducer selector	J8-201	For dual frequency	2.2 kg
Inner hull kit	MFB-04W	For 1kW only, resin type	1.5 kg
Junction box	JB-32	For connecting the transducer	2.0 kg
Power rectifier	PS-006	With two 10A fuses	8.0 kg
Connecting cable	CW-371	For connecting external sounder	5 m
Connecting cable	CW-373	For connecting external navigator	5 m
Connector	LTWD-05BFFA-L180	For external echo sounder	
Connector	LTWD-06BFFA-L180	For NMEA-0183	
Connector	LTWD-08BFFA-L180	For SPEED/TEMP sensor	

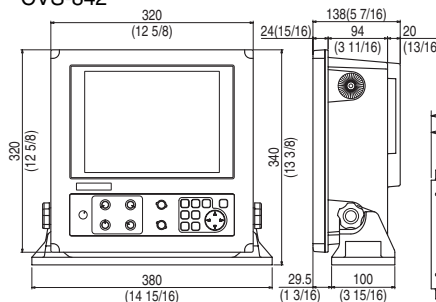
CONNECTIONS



DIMENSIONS AND WEIGHT

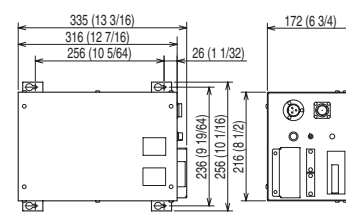
Display unit

CVS-842



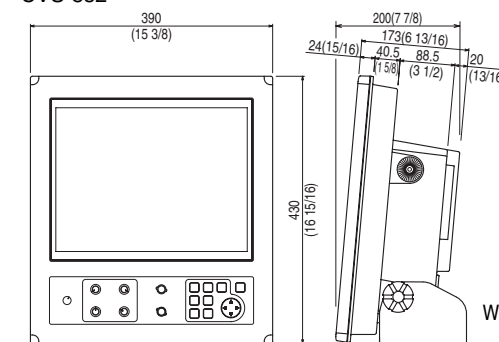
Weight: 6.5 kg (14.3 lbs)

TX/RX unit CVT-10



Weight: 6.0 kg (13.2 lbs)

CVS-852



Weight: 10 kg (22.1 lbs)

Unit: mm (inch)

* Specifications subject to change without notice.



CVS-842

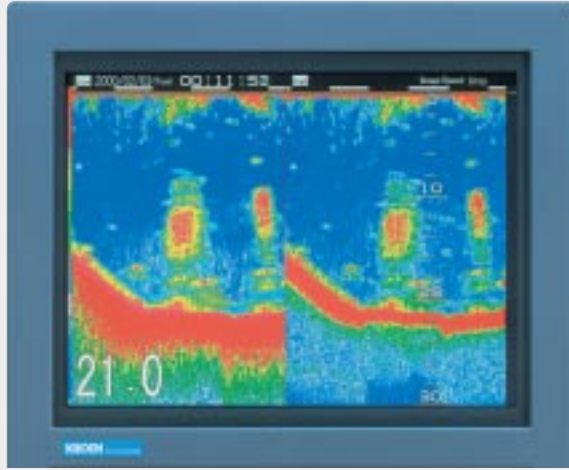
CVS-852

The key words are:

- Professional
- Hi-Bright
- Operation "easy"
- Compact

New Professional sounders for smart fishing, the CVS-842/852 series offers the following new features!

General Features



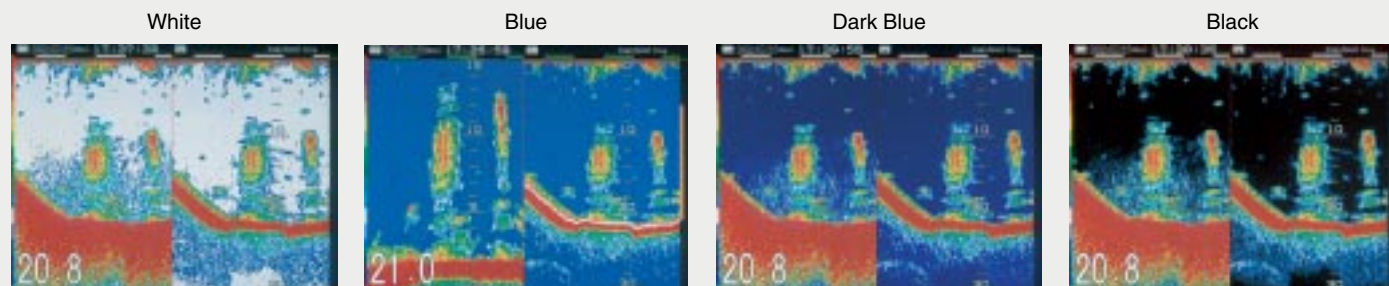
● Operation "easy" design

Rotary controls and keypads, these operating devices are logically arranged, easy to find and straightforward to use, making operation at sea a breeze.



● Display color

Background color and sounder color can be changed according to the lighting condition as well as your specific needs.



● Professional specification

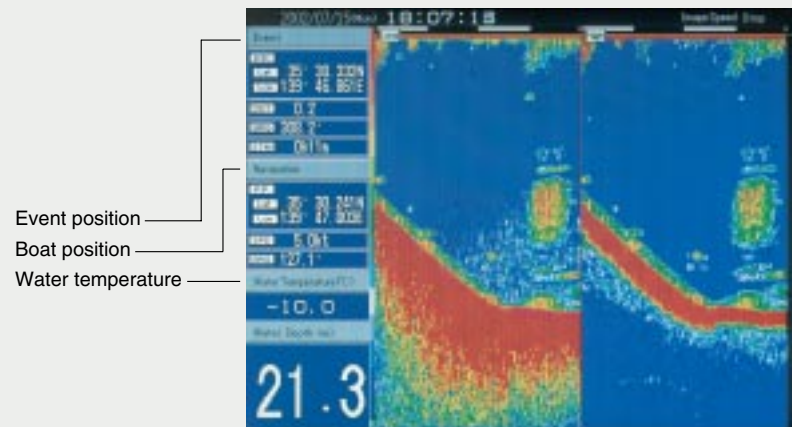
Dual frequency operation with user selectable frequency plus power output makes this sounder the No.1 choice for the professional fisherman. Furthermore, a unique signal processing system, which aids in the finding of weak schools of fish in murky ocean conditions, is built in as standard. By combining these features, you can use this sounder for a wide variety of fishing styles from shallow to deep sea applications.

● High brightness, wide angle Liquid Crystal Display

The sounder offers a steady, crisp flicker free image on a 10.4 inch (CVS-842) or 15 inch (CVS-852) high grade Liquid Crystal Display, available both in daytime and nighttime operations. The display has a much wider viewing angle, permitting picture monitoring from either sides, up or down.

● Navigation Display

Boat position, event, etc. can be displayed in Lat/Lon or LOP by connecting a navigator unit. Water temperature can also be displayed with an optional water temperature sensor (ST-80, 90 or 100) being connected.



Technical Features

● Entire image control

Unlike conventional sounders, the CVS-842/852 series has the ability to vary the gain of the entire image including previous captured images. This feature allows the user to go back and analyze ground that has already been covered in greater detail including density of fish school, activity and even type of fish.

● Improved image clarity

A newly adopted LOG receiver assures a high definition image of fish schools, thanks to its low noise, wide dynamic range amplifier. The new receiver system also provides an optimized STC (Sensitivity Time Control) characteristic, which was designed from practical operational view points, using the inputs from skippers. These features help find schools of fish in better clarity whatever the ocean depth-shallow, mid or deep.

● High data refreshing rate, 3900 ppm

The transmission rate has been more than doubled compared to KODEN's conventional sounders, resulting in a higher rate of echo returns (For CVS-842C/852C only). By combining this feature with KODEN's unique signal processing method, the fish detection capability is greatly enhanced. Our extensive tests have proved that the CVS-842/852 series far exceeds the sounders in the same class in terms of detection capability.

● Enhanced Interference rejection

We have adopted a new approach in changing the Pulse Repetition Frequency at a logically selected random rate, causing interference to be almost completely eliminated, whether it is from the sounders on board the ship or from other ship's.

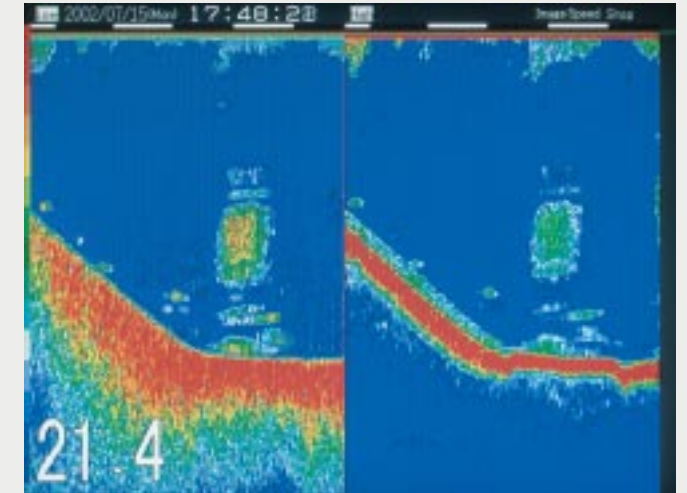
● Universal designed TX/RX module

Unlike conventional sounders, the CVS-842/852 series does not require you to change the expensive TX/RX module when a need is arisen (i.e. to modify its frequency or output power level).



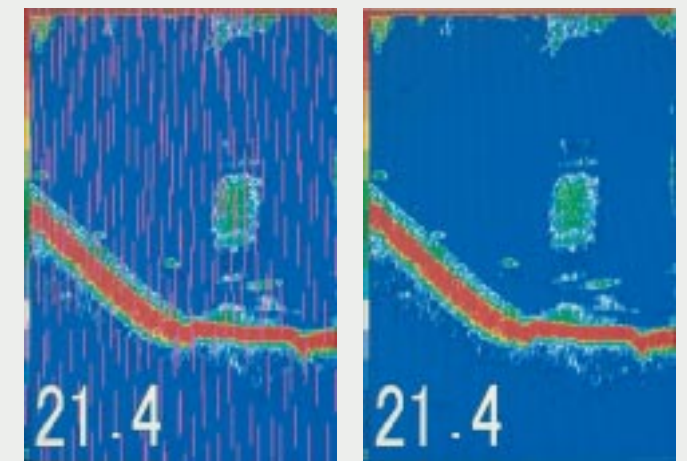
● Compact and waterproof

The sounder can be installed anywhere on the boat, on the table, tilted console space or even on the fly bridge, thanks to a strengthened waterproof design that exceeds IPX5 requirements. (Display only)



Low Frequency image

High Frequency image



Interference from other sounders

Interference Rejection ON



● Flexible installation

The system is composed of a Display Unit and a compact Transmitter/Receiver Unit, giving the user a greater number of places for installation.