

# KODEN

8-inch LCD  
Color Echo Sounder

## CVS-833

*Innovative Brilliance*



*Professional Dual-Frequency Sounder  
features brilliant daylight viewable display*

## FEATURES

### Clear and high-resolution display

Display has a clear 8-inch TFT LCD. Although the body is compact, a big screen image is shown. A large image with resolution of 480 x 640 pixels (VGA) and color distinction make it easy to see the undersea conditions clearly.

### Easy operation

Staying with ease of use, by using the switch and the direct key together, it is possible to set the best conditions for your needs with just one action. Also, use the full auto mode by just pushing the auto key. Gain and depth range will then be set to optimum conditions.

### Many presentation modes

There are a number of presentation modes such as normal, normal + bottom lock, normal + bottom discrimination, bottom zoom, normal + partial zoom, dual frequency mix mode and more. Additionally, the screen can be divided vertically or horizontally making it possible to choose the best suitable screen mode depending upon your needs.

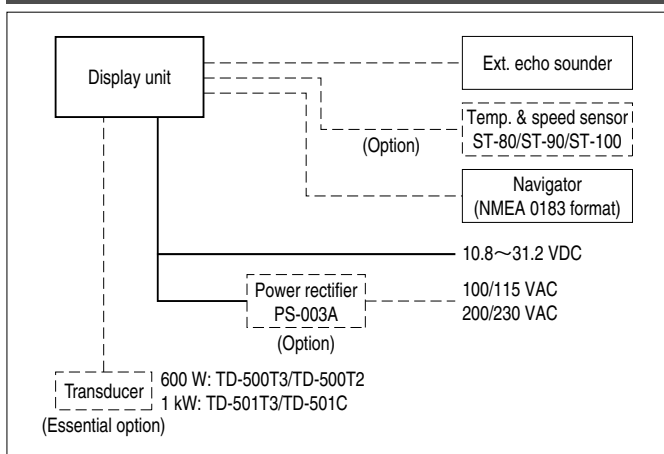
### Easy installation & easy flush mount

Because of its thin form, it is easy to install either hanging or flush mount. With built-in flush mounting system, it is possible to screw in through the corners of the front display, therefore any other installation devices such as a mounting kit are not required.

## EQUIPMENT LIST

Standard equipments	Display unit with hard cover, Hood, Mounting bracket and Fixing knobs	1 set
	DC power cable, Installation material, Spare parts, Accessories and Operation manual	1 set
Essential option	Transducer	
Options	Temp. & speed sensor, Connection cables for external devices, Inner hull kit, Junction box and Power rectifier	

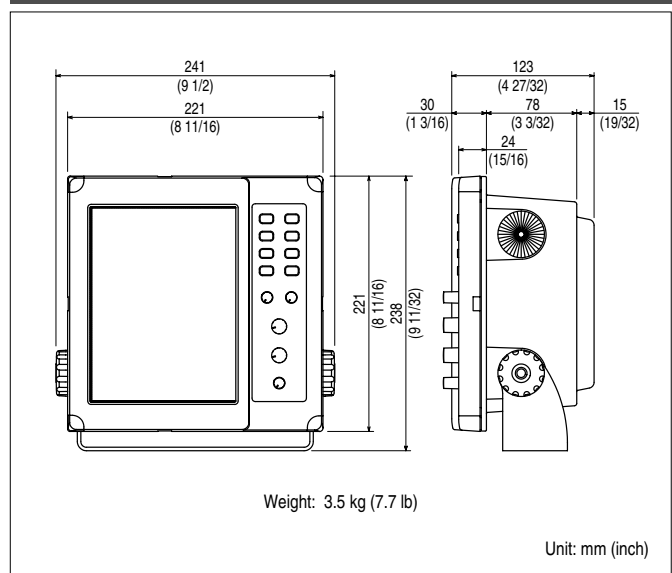
## CONNECTIONS



## SPECIFICATIONS

Type	CVS-833	CVS-833C
Output power	600 W	1 kW
Display	8 inch color TFT LCD (480 x 640 pixels)	
Display colors	16 colors (4 groups) or 8 colors	
Frequency	Dual 50/200 kHz	
Depth ranges	5 to 600 (Meter / Japanese Fathom / Fathom / Italian Fathom) 10 to 2000 (Feet)	5 to 1200 (Meter / Japanese Fathom / Fathom / Italian Fathom) 10 to 4000 (Feet)
Zoom ranges	2.5, 5, 10 20, 40, 80 (Meter / Japanese Fathom / Fathom / Italian Fathom); 1 range selectable 10, 20, 40, 80, 160, 320 (Feet); 1 range selectable	
Image shift	Auto or Manual 0 to 600 (Meter / Japanese Fathom / Fathom / Italian Fathom) 0 to 2000 (Feet)	Auto or Manual 0 to 1200 (Meter / Japanese Fathom / Fathom / Italian Fathom) 0 to 4000 (Feet)
Presentation modes	High frequency, Low frequency, Zoom image (Bottom lock, Bottom discrimination, Bottom zoom, Zoom) together. Above mode such as sea bottom partial zoom, combined screen can be added A-scope display. Changeable to vertically/horizontally up and down or left and right divided	
Auto functions	Depth range, Shift and Gain	
Input and output data format	NMEA 0183	
Other functions	Sea bottom / Fish finder alarm, Temperature alarm, Image speed, Interference rejection, Noise rejection, Color rejection, Transmission output, Panel illumination, Draft adjustment, Temperature correct, Boat speed correct, PRR, Image speed, External echo sounder connection, White line, Background selection	
Power supply	10.8 to 31.2 VDC	
Power consumption	25 W or less (at 24 VDC)	30 W or less (at 24 VDC)
Water protection	IPX2	

## DIMENSIONS AND WEIGHT



\* Specifications subject to change without notice.

# KODEN

KODEN ELECTRONICS CO., LTD.

OVERSEAS DEPT.

13-24, TAMAGAWA 2-CHOME, OTA-KU

TOKYO, 146-0095 JAPAN

TEL: +81 3 3756-6918

FAX: +81 3 3756-6831

E-MAIL: overseas@koden-electronics.co.jp

www.koden-electronics.co.jp

Certified to ISO 9001 ( TUV PRODUCT SERVICE )



Safety  
precaution

To ensure proper and safe use of the equipment, please carefully read and follow the instructions in the OPERATION MANUAL.

FOR DETAILS, PLEASE CONTACT: