

RoxAnn GD

the new dimension to seabed classification

Get ahead of the competition

RoxAnn GD is the most sophisticated seafloor classification system available to commercial fishermen today.

Based on tried and trusted seabed analysis techniques and incorporating the latest advances in miniature digital technology, RoxAnn GD gives comprehensive bottom discrimination - essential for **your** ground fishing operations.

Working with your existing echo sounder and a range of PC plotter systems, RoxAnn GD provides real time seabed classification information and storage of historical data.

- Identify quickly and accurately what the seabed is made up of: rock, gravel, sand, silt, etc.
- Build up your own personal colour coded charts of your fishing grounds.
- Find the right ground for your catch.
- Locate areas of rough ground and avoid gear damage.
- Increase efficiency and save time at sea by knowing what's on the bottom - no guesswork!

Creating seabed maps has never been easier!

➤ **easy to install**

➤ **small, compact and reliable**

➤ **real-time seabed classification**

➤ **doesn't need a stable transmit pulse**

➤ **interface to any sounder at any depth**

➤ **adjust range and power of the sounder**

"The Small Box with the Big Advantage"



Find out how RoxAnn GD can help your fishing operations



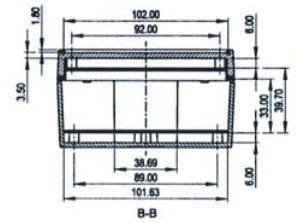
Technical Specifications of RoxAnn GD

Physical

Wall or panel mounting box
 Length 200mm
 Width 110mm
 Height 60mm
 Weight 600g
 Mounting Holes 186 x 76mm

Connections

RS232 9 pin D connector
 USB USB to PC
 5 VDC jack connector power supply
 Transducer 3 pin XLR mating connector



Cables / Connectors

9 pin D connector to 9 pin D connector (2 metres)
 USB to PC
 Power supply 80 to 260VAC, 5VDC output
 XLR 3 pin mating plug

Power Supply

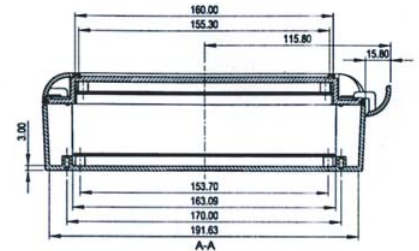
5VDC - 400mA
or
 AC Adaptor supplied (80VAC to 260VDC)
or
 USB cable supplied from PC

Software Compatibility

RoxMap, Microplot, Trax, Sodena, Maxsea
 Others on request

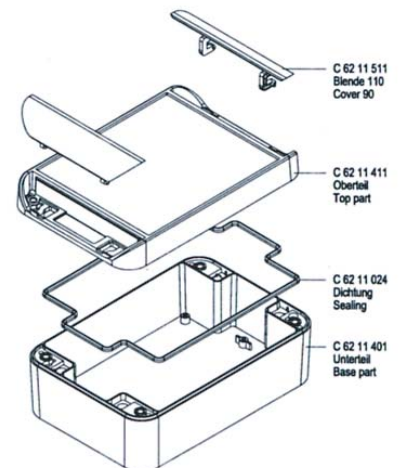
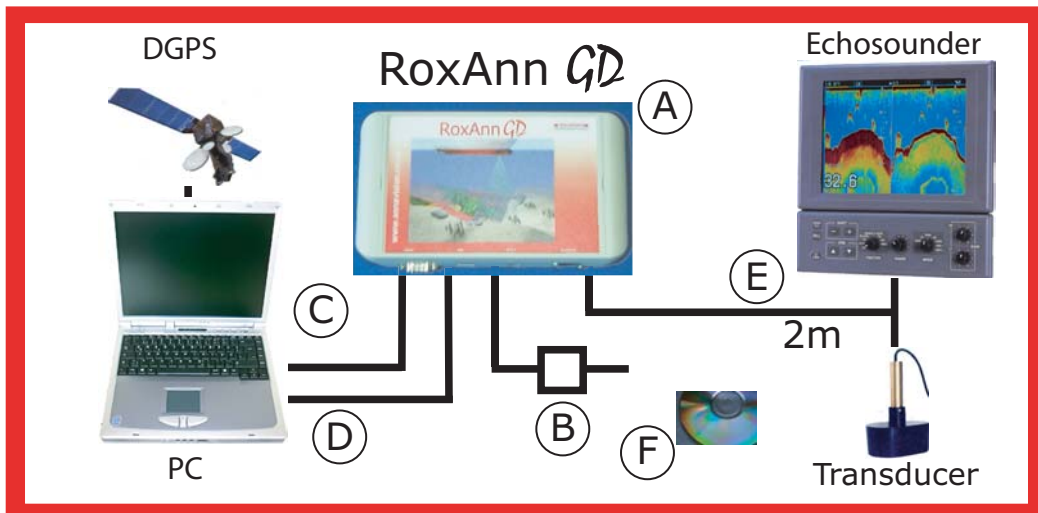
PC Compatibility

1 x RS232 serial port
 1 x USB port
 1 x CD-ROM



Echosounder Compatibility

Frequency 24kHz to 210kHz
 Power Output up to 10kW
 Depth Capability from 2m to 2000m (depending on host echosounder)
 Makes and models Koden, Simrad, Furuno, Suzuki, JMC, JRC and many others



What's in the box?

- A RoxAnn GD
- B AC to 5VDC Power Supply
- C USB cable
- D RS232 cable
- E 3 pin XLR connector with 2m cable
- F RoxAnn GD installation CD

Manufacturer

Sonavision Ltd.
 16 Demore Road
 Denmore Industrial Estate
 Bridge of Don
 Aberdeen AB23 8GD
 Scotland, UK

Tel: 01224 707737

Fax: 01224 827290

E-mail: info@sonavision.co.uk

Web: www.sonavision.co.uk